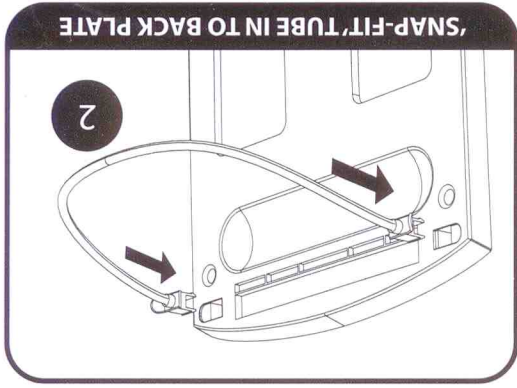
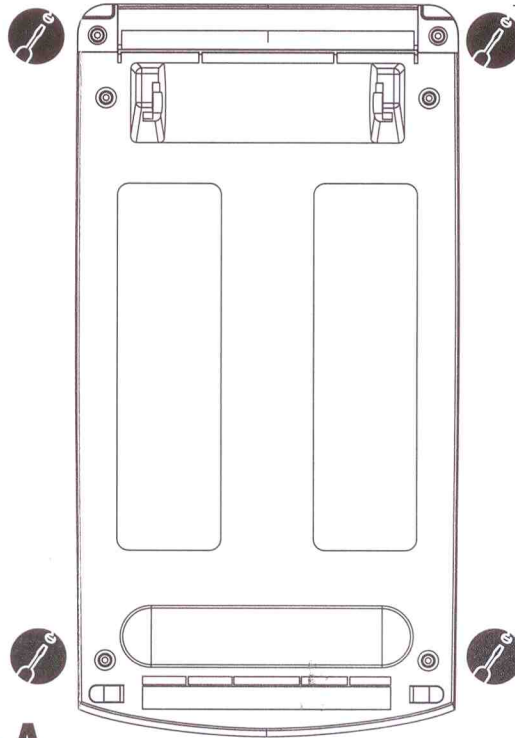


# Wall mounting

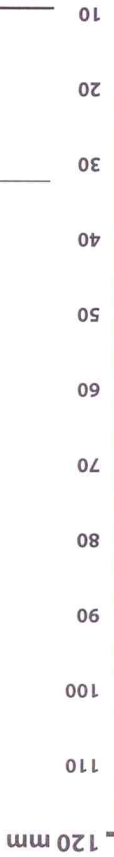


Floor level

CORRECT INSTALLATION HEIGHT



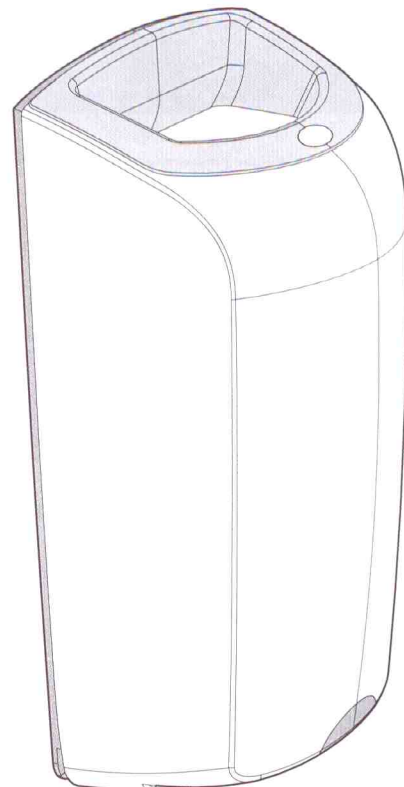
120 mm



**1**

# Wastecare<sup>®</sup>

Wall mounted waste paper bin



**1**

X1 FRONT COVER

X1 BACK PLATE

X1 LENS

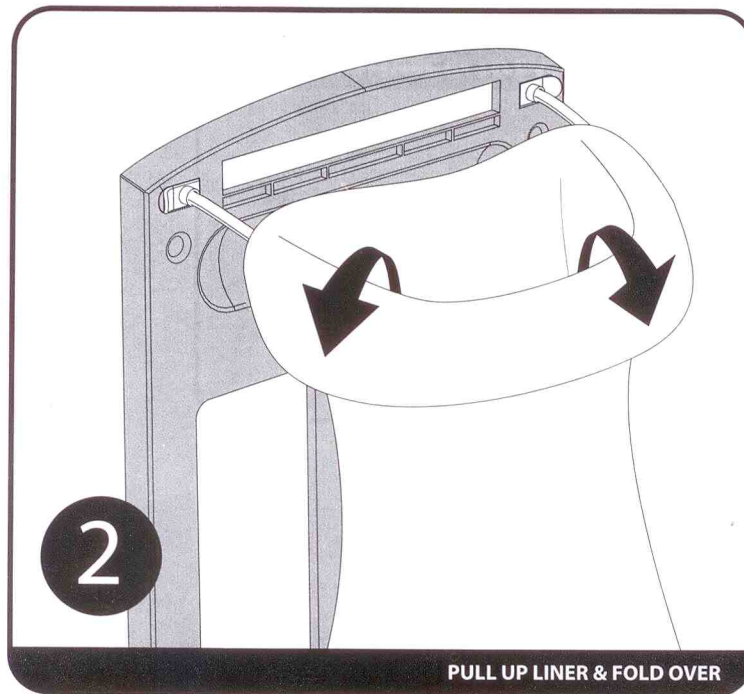
X1 TUBE

X1 CHUTE

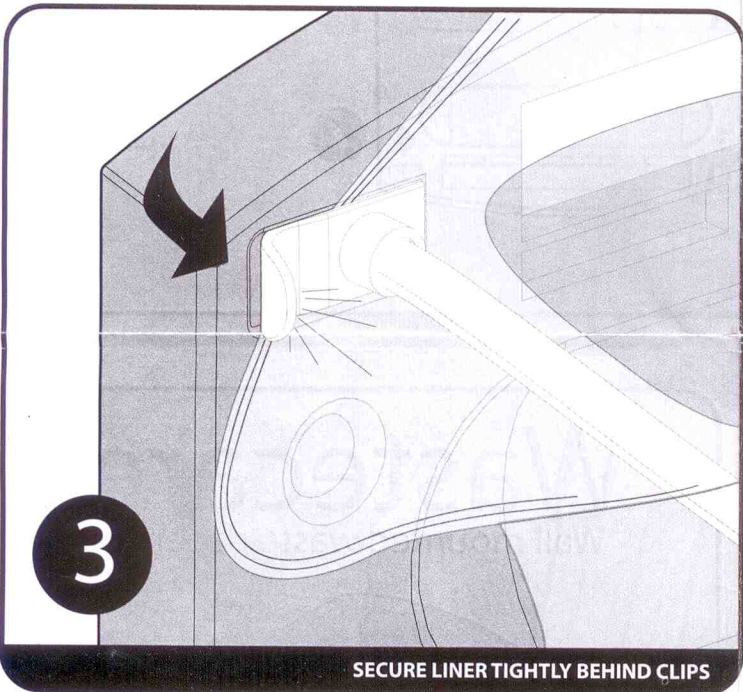
X1 COMPACTOR

X4 SCREWS/PLUGS

PARTS LIST



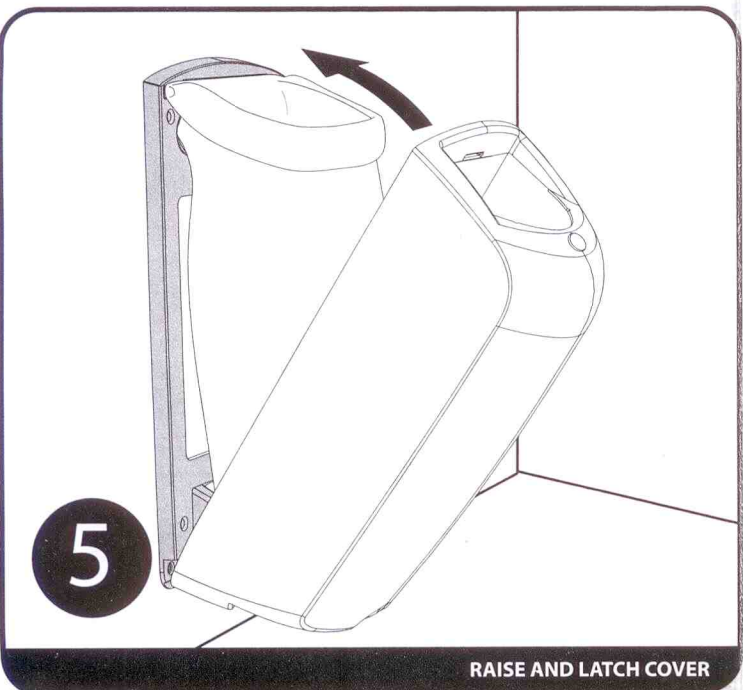
PULL UP LINER & FOLD OVER



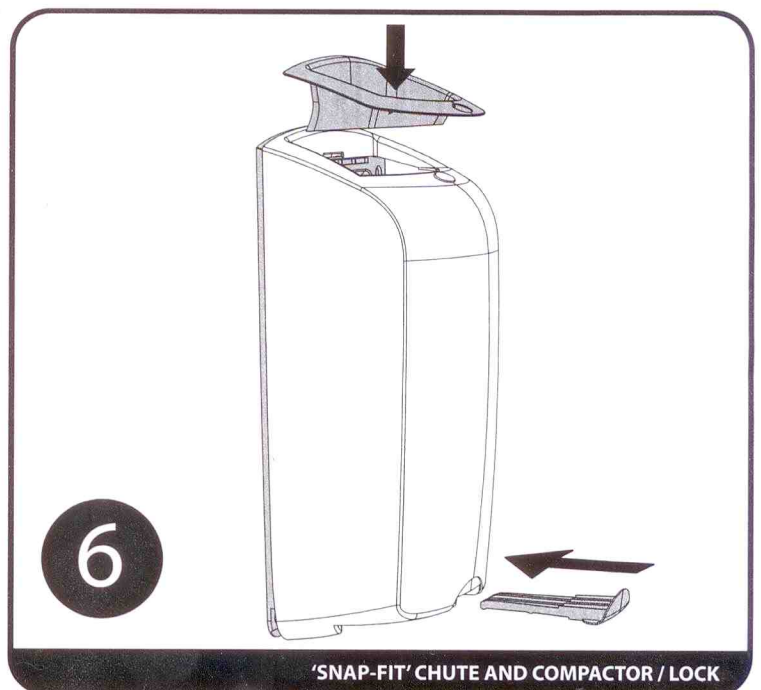
SECURE LINER TIGHTLY BEHIND CLIPS



LOCATE FRONT COVER IN BACK PLATE SLOT



RAISE AND LATCH COVER



'SNAP-FIT' CHUTE AND COMPACTOR / LOCK